

## T251 Trapezoidal Stage Speaker System

- PRO™ circuit provides HF driver protection
- Integral stand mount
- Roadworthy enclosure with metal corners and grille, and heavy-duty handles
- Constant-directivity 60° x 40° horn
- High-excursion, DL15X 15-in. woofer
- Biampable, passive network included

### SPECIFICATIONS

Frequency Response, Measured at 10 Feet on Axis, Swept 1/3-octave, Half-Space Anechoic Environment (see Figure 1. Curve shown has been normalized for 1 watt/1 meter):

50-16,000 Hz

Low-Frequency 3-dB-Down Point:

50 Hz

Usable Low-Frequency Limit (10-dB-down point):

45 Hz

Half-Space Reference Efficiency:

4.1%

Long-Term Average Power-Handling Capacity per EIA Standard RS-426A (see Power-Handling Capacity section):

400 watts, 8 hours

500 watts, 2 hours

Recommended Crossover Frequency:

1,600 Hz

Crossover Slopes,

Recommended:

24 dB per octave

Minimum:

12 dB per octave

Long-Term Average Power-Handling Capacity (see Power-Handling Test section),

Low Frequency (per EIA RS-426-A 1980):

400 watts

High Frequency (per AES2-1984/ANSI S4.26-1984):

60 watts

Sensitivity (far-field SPL referred to 1 meter, 1-watt input, anechoic environment, band-limited pink noise),

Low Frequency (100-800 Hz):

101 dB

High Frequency (500-5,000 Hz):

112 dB

SPL at Full Power (far-field SPL at 1 watt/1 meter referred to full power, anechoic environment, band-limited pink noise),

Long-Term Average/Peak,

Low Frequency (100-1,200 Hz):

127 dB/133 dB

High Frequency (1,200-5,000 Hz):

129 dB/135 dB

Impedance,

Nominal (low frequency/high frequency):

8 ohms/8 ohms

Minimum (low frequency/

high frequency):

7.5 ohms/6.3 ohms

Average Efficiency,

Low Frequency: 5%

High Frequency: 25%

Nominal Coverage Angle,

Horizontal: 60°

Vertical: 40°

Beamwidth (angle included by 6-dB-down points on polar responses, indicated one-third-octave bands of pink noise, see Figure 4)

2,500 to 16,000 Hz Horizontal:

60° (+12°, -1°)

500 to 16,000 Hz Vertical:

40° (+2°, -12°)

Directivity Factor  $R_0$  (Q), 500- to 16,000-Hz

Median (see Figure 5):

18.0 (+8.7, -8.5)

Directivity Index  $D_0$ , 500- to 16,000-Hz

Median (see Figure 5):

12.6 dB (+9.4 dB, -9.3 dB)

Distortion Response (4 W), 1% Rated Input

Power (on axis at 1 meter from system),

Second Harmonic,

100 Hz: 0.6%

1,000 Hz: 0.5%

10,000 Hz: 2.9%

Third Harmonic,

100 Hz: 0.1%

1,000 Hz: 0.6%

10,000 Hz: 0.8%

Distortion Response (40 W), 10% Rated Input Power (on axis at 1 meter from system; see Figure 5),

Second Harmonic,

100 Hz: 2.2%

1,000 Hz: 1.9%

10,000 Hz: 12.0%

Third Harmonic,

100 Hz: 0.2%

1,000 Hz: 1.9%

10,000 Hz: 2.5%

Transducer Complement,

Low Frequency:

DL15X 381-mm (15-in.) woofer in a

vented enclosure

High Frequency:

HP64M 60° x 40° horn mounted to

DH2T compression driver

Box Tuning Frequency:

55 Hz

Driver Protection, High Frequency:

Solid-state self-resetting circuit (PRO™ circuit) drops input 6 dB; blocking capacitor with 800-Hz corner frequency and 6-dB-per-octave slope

Enclosure Materials and Color:

Black, 7-ply void-free carpet-covered

plywood

Grille:

Black powder coated, vibration-resistant

steel, removable

Dimensions ,

Height:

818 mm (32.2 in.)

FIGURE 1 — T251 Axial Frequency Response, 1 Watt/1 Meter

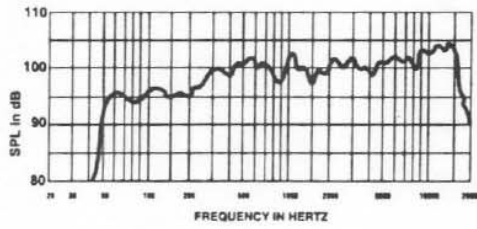


FIGURE 2 — T251 Polar Response (one-third-octave pink noise, 4 volts/10 feet)

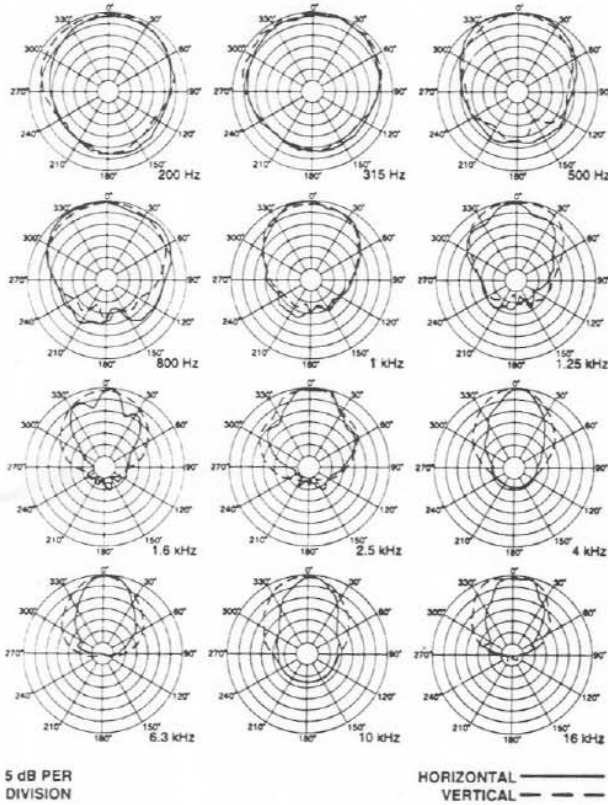


FIGURE 3 — T251 Beamwidth vs. Frequency, Whole Space (anechoic)

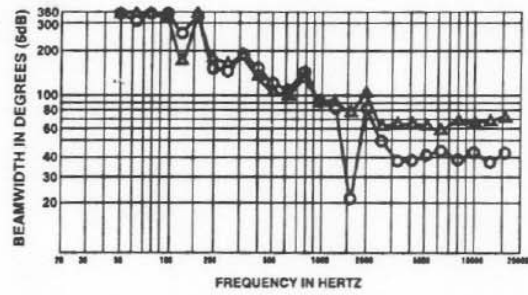


FIGURE 4 — T251 Directivity vs. Frequency, Whole Space (anechoic)

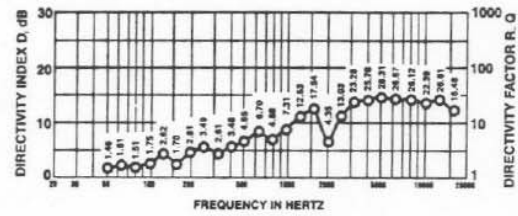
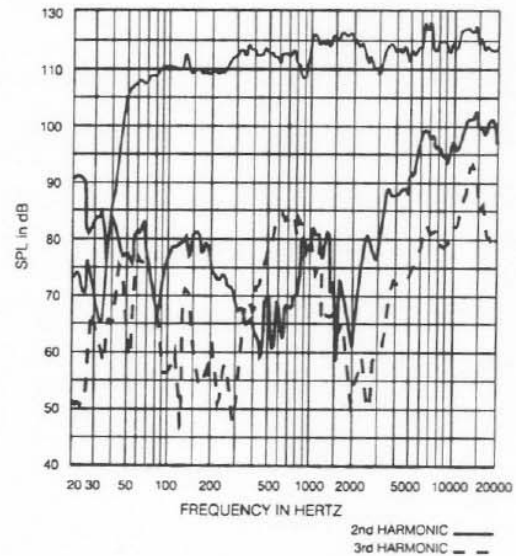


FIGURE 5 — T251 Distortion Response (40 W), 10% Rated Input Power (on axis at 1 meter from system)



**Width at Front:**  
488 mm (19.2 in.)  
**Width at Rear:**  
229 mm (9.0 in.)  
**Depth:**  
599 mm (23.6 in.)  
**Side-Wall Draft Angle:**  
10°  
**Net Weight:**  
35.5 kg (78 lb)  
**Shipping Weight:**  
41.5 kg (91 lb)

#### DESCRIPTION

The compact, trapezoidal-shaped Electro-Voice T251 is a 400-watt, two-way, high-efficiency, constant-directivity stage system. A stand socket for 1<sup>3</sup>/<sub>8</sub>-inch diameter stands, such as the Electro-Voice 100BK, is provided. The system combines professional-quality components, arranged in a time-coherent vertical array, with an unusually durable Thiele-Small-aligned vented enclosure. The result is clear and articulate, high-quality sound.

The enclosure is constructed of 7-ply void-free plywood. This high-strength shell is covered with densely woven, abuse-resistant black carpeting.

The high-frequency section of the T251 utilizes a 60° x 40° constant-directivity horn driven by a wide-bandwidth, titanium-diaphragm DH2T driver. This driver uses a unique convex-drive Time Path™ phasing plug structure (U.S. Patent #4,525,604) for smooth and extended high-frequency performance. The voice coil is coupled to the diaphragm with EV's exclusive Resonant Drive™ technology. This increases and smooths the high-frequency response and reduces the amount of internal equalization required for flat frequency response.

EV's self-resetting PRO™ circuit is built into the crossover network to guard the compression driver from damage. If input power to the driver exceeds the nominal rating, the PRO circuit is activated, reducing the power delivered to the driver by 6 dB. The system will remain in this mode of operation until input power is reduced to a safe level.

The optimally vented bass section of the T251 is designed using Thiele-Small parameters for efficient performance to below 50 Hz. The DL15X high-excursion 15-inch woofer features beryllium copper lead wires with a low-mass, extended-length, edge-wound voice coil and high-temperature materials. EV's unique Thermo Inductive Ring (TIR™) is placed on top of the pole piece, where the extended-length voice coil would normally be exposed, placing metal in close proximity to the coil and providing a major heat-transfer path that helps keep the voice coil cool. Also, the part of the magnetic structure adjacent to the coil is insulated from any rubbing contact induced by high power inputs, using EV's exclusive PROTEF™ coating (U.S. Patent #4,547,632). The coil is driven by a massive, 16-lb magnetic structure.

#### CONSTANT-DIRECTIVITY

#### SPEAKER SYSTEM

The crossover frequency and speaker component geometries have been selected so that the directional characteristics of the woofer and constant-directivity horn match at the crossover frequency (approximately 90° circular coverage patterns for each) to create a special system type—the constant-directivity system. At higher frequencies the horizontal coverage pattern remains constant and the vertical pattern smoothly transitions to a 40° angle above 4,000 Hz. Response within the 60° x 40° rated coverage angle is uniform, which means dependable audience coverage without "hot spots" or dead zones at certain frequencies. The 60° x 40° dispersion characteristic also helps avoid early reflections from nearby floor or side wall surfaces which could degrade performance. The controlled directivity of the high- and low-frequency transducers also eliminates response irregularities caused by diffraction off nearby enclosure edges and, in combination with an essentially flat on-axis frequency response, produces a total acoustic power output that is uniform with frequency.

#### ENCLOSURE CONSTRUCTION

A combination of dado-cut joints, tough adhesives and proper bracing ensures a sonically dead enclosure free from panel resonances.

The densely woven, industrial-grade, abuse-resistant carpeting provides a finish that is both attractive and highly durable. Large, heavy-duty metal corner protectors, firmly secured rubber feet and recessed handles complete the picture and ensure that the T251 speaker system is ideally suited for a long and reliable life "on the road."

#### ROTATING THE HIGH-FREQUENCY HORN

The T251 high-frequency horn may be easily rotated about its major axis, providing coverage independent of enclosure orientation. First remove the enclosure grille, then the horn. Both are affixed with #2 Phillips-head screws. Rotate the horn 90° about its axis and reinstall the components.

#### FULL RANGE OPERATION

The T251 is shipped from the factory in "full-range mode". Connection to the speaker is made through either one of two Neutrik Speakon® connectors mounted on the rear of the enclosure. Pins 1+ and 1- are used.

#### BIAMPED OPERATION

The T251 is shipped from the factory in "full-range mode" with its passive crossover utilized. If biamp operation is desired, this is easily achieved. The input panel/crossover assembly (on the back of the system) must first be removed using a #2 Phillips screwdriver. After removing the input panel/crossover assembly, notice the crossover instruction label on the side of the panel. There are four automotive fuses on the printed circuit board. These fuses are not functioning as fuses, but rather are functioning together as a four pole switch. To convert the T251 to biamp operation, move each fuse over one position. The fuses should, once again, all be in one column and nearest the word BIAMP on the printed circuit board. Replace the input panel/crossover assembly in the enclosure and carefully replace the screws—

being careful not to strip the holes. To return the system to full-range operation, repeat the steps in a similar manner. Remember, all fuses must be arranged in one vertical column for safe, proper operation.

Neutrik Speakon® connectors are used. Pins 1+/1- are wired to the low-frequency driver and pins 2+/2- to the high-frequency section. The high-frequency section incorporates a low-frequency blocking capacitor with a 3-dB-down point of 800 Hz and PRO™ circuit auto resetting overload protection.

#### FREQUENCY RESPONSE

The combination of a 15-inch woofer, wide-bandwidth high-frequency driver and an equalized crossover results in the wide and smooth overall response shown in Figure 1. The T251's axial frequency response was measured in Electro-Voice's large anechoic chamber at a distance of 10 feet with a swept sine-wave input of 4 volts. Figure 1 has been averaged and corrected for 1 watt/1 meter.

#### DIRECTIVITY

A unique feature of the T251 is the constant-directivity dispersion provided by the 60° x 40° horn. The polar response of the system at selected one-third-octave bandwidths is shown in Figure 2. These polar responses were measured in an anechoic environment at 10 feet using one-third-octave pink-noise inputs. The frequencies selected are fully representative of the polar response of the system. Beamwidth of the system utilizing the complete one-third-octave polar data is shown in Figure 3. R<sub>0</sub> and directivity index (D) are plotted in Figure 4.

#### POWER-HANDLING CAPACITY

The T251 is designed to withstand the power test described in EIA Standard RS-426A. The EIA test spectrum is applied for eight hours. To obtain the spectrum, the output of a white-noise generator (white noise is a particular type of random noise with equal energy per bandwidth in Hz) is fed to a shaping filter with 6-dB-per-octave slopes below 40 Hz and above 318 Hz. When measured with an analyzer having the usual constant-percentage bandwidth (one-third octave), this shaping filter produces a spectrum whose 3-dB-down points are at 100 Hz and 1,200 Hz with a 3-dB-per-octave slope above 1,200 Hz. This shaped signal is sent to the power amplifier with the continuous power set at 400 watts into the 6.4-ohm EIA equivalent impedance (50.6 volts true rms). Amplifier clipping sets instantaneous peaks at 6 dB above the continuous power, or 1,600 watts peak (101.2 volts peak). This procedure provides a rigorous test of both thermal and mechanical failure modes.

The specifications also include a two-hour rating for the purpose of comparing competitive products to the T251.

#### ARCHITECTS' AND ENGINEERS' SPECIFICATIONS

The loudspeaker system shall be a two-way, full-range design consisting of a 381-mm (15-inch) woofer in a vented, trapezoidal-shaped enclosure, a high-frequency compression driver mounted on a 60° x 40° constant-directivity horn, and a passive crossover/equalizer

network. The loudspeaker shall meet the following performance criteria: frequency response of 50-16,000 Hz, -3 dB; power handling of 400 watts long term and 1,600 watts short term with a shaped random-noise input per EIA Standard RS-426A; sensitivity of 101 dB SPL at 1 meter with a 1-watt, 300-2,000-Hz pink-noise input; 6-dB-down horizontal coverage angle of  $60^\circ \pm 10^\circ$  in the 2,500-20,000-Hz range; 6-dB-down vertical coverage angle of  $40^\circ \pm 4^\circ$  in the 3,150-20,000-Hz range; crossover frequency of 2,200 Hz; nominal impedance of 8 ohms; and minimum impedance of 7 ohms. Input connections shall be two paralleled Neutrik Speakon® connectors. The enclosure shall be constructed of 7-ply void-free plywood, covered in black carpet and fitted with a black steel grille, metal corner protectors, rubber feet and two recessed carrying handles. Dimensions shall be 818 mm (32.2 in.) high x 488 mm (19.2 in.) wide at front x 229 mm (9.0 in.) wide at rear x 599 mm (23.6 in.) deep. Net weight shall be 35.5 kg (78 lb).

The loudspeaker system shall be the Electro-Voice T251.

#### **WARRANTY (Limited)**

Electro-Voice products are guaranteed against malfunction due to defects in materials or workmanship for a specified period, as noted in the individual product-line statement(s) below, or in the individual product data sheet or owner's

manual, beginning with the date of original purchase. If such malfunction occurs during the specified period, the product will be repaired or replaced (at our option) without charge. The product will be returned to the customer prepaid. **Exclusions and Limitations:** The Limited Warranty does not apply to: (a) exterior finish or appearance; (b) certain specific items described in the individual product-line statement(s) below, or in the individual product data sheet or owner's manual; (c) malfunction resulting from use or operation of the product other than as specified in the product data sheet or owner's manual; (d) malfunction resulting from misuse or abuse of the product; or (e) malfunction occurring at any time after repairs have been made to the product by anyone other than Electro-Voice or any of its authorized service representatives. **Obtaining Warranty Service:** To obtain warranty service, a customer must deliver the product, prepaid, to Electro-Voice or any of its authorized service representatives together with proof of purchase of the product in the form of a bill of sale or receipted invoice. A list of authorized service representatives is available from Electro-Voice at 600 Cecil Street, Buchanan, MI 49107 (616/695-6831 or 800/234-6831) and/or Electro-Voice West, at 8234 Doe Avenue, Visalia, CA 93291 (209/651-7777 or 800/825-1242). **Incidental and Consequential Damages Excluded:** Product repair or replacement and return to the customer are the only remedies

provided to the customer. Electro-Voice shall not be liable for any incidental or consequential damages including, without limitation, injury to persons or property or loss of use. Some states do not allow the exclusion or limitation of incidental or consequential damages so the above limitation or exclusion may not apply to you. **Other Rights:** This warranty gives you specific legal rights, and you may also have other rights which vary from state to state.

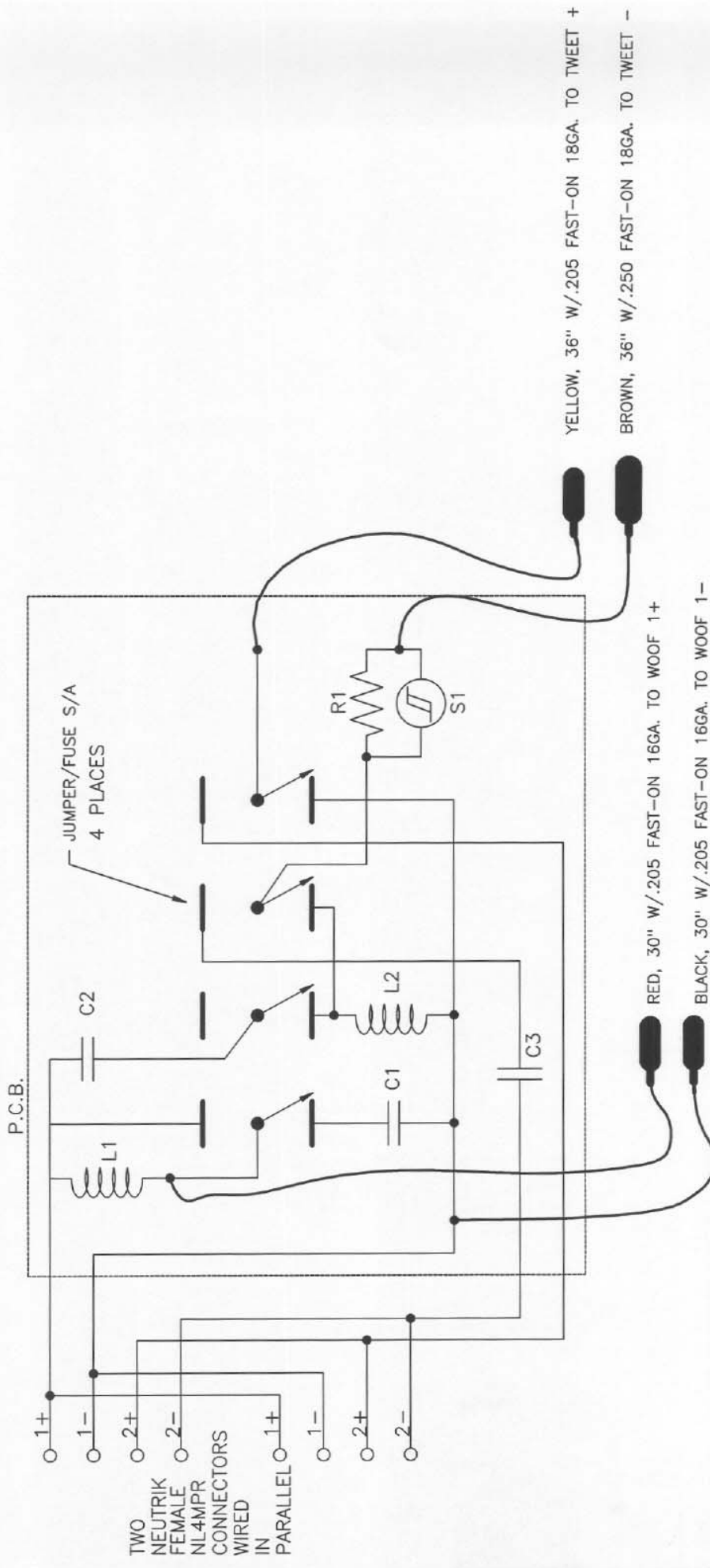
**Electro-Voice Speakers and Speaker Systems** are guaranteed against malfunction due to defects in materials or workmanship for a period of five (5) years from the date of original purchase. The Limited Warranty does not apply to burned voice coils or malfunctions such as cone and/or coil damage resulting from improperly designed enclosures. Electro-Voice active electronics associated with the speaker systems are guaranteed for three (3) years from the date of original purchase. Additional details are included in the Uniform Limited Warranty statement.

Service and repair address for this product: Electro-Voice, Inc., 600 Cecil Street, Buchanan, Michigan 49107 (616/695-6831 or 800/234-6831).

Specifications subject to change without notice.



**ELECTRO-VOICE** a MARK IV company **600 Cecil Street, Buchanan, Michigan 49107**  
MANUFACTURING PLANTS AT ■ BUCHANAN, MI ■ NEWPORT, TN ■ SEVIerville, TN ■ OKLAHOMA CITY, OK ■ GANANOQUE, ONT.  
© Electro-Voice, Inc. 1993 ■ Litho in U.S.A. Part Number 533889 — 9628






Date: 1/18/2002

Tir2 AM

L2	0.75 mh ±5%.	DCR < 0.90 OHMS,	AIR CORE		
L1	3.25 mh ±5%.	DCR < 0.65 OHMS,	AIR CORE 16 GA.		
C3	18 uF ±10%	100 VOLT (MIN),	3.0 AMP, POLYESTER		
C2	1.0 uF ±5%	150 VOLT (MIN),	3.0 AMP, POLYPROPYLENE		
C1	12 uF ±10%	150 VOLT (MIN),	4.0 AMP, POLYESTER		
R1	10 OHM,	20 WATT, 10%,	SPACED OFF P.C. BOARD .25" MIN.		
S1	RAYCHEM	RXE075			

ITEM	DESCRIPTION
------	-------------

COMPONENTS

OTHERWISE SPECIFIED	DRAWN	DATE	 a MARK IV company ELECTRO-VOICE, ENGINEERING RESEARCH AND DEVELOPMENT 128 E. FRONT ST. • BUCHANAN, MICHIGAN
	MACHINED CAST MOLDED	F.DIGIROLAMO	
ANGLES	CKD	DATE	
t ±0°30'	G.WILKEN	12-19-95	
FORMED ±2°	ENGR	DATE	
CONCENTRICITY	F.DIGIROLAMO	12-19-95	
~	RELEASED	DATE	
T.I.R.	F.DIGIROLAMO	12-20-95	
DRAFT ANGLE			
~			
5Y.			

CROSSOVER S/A

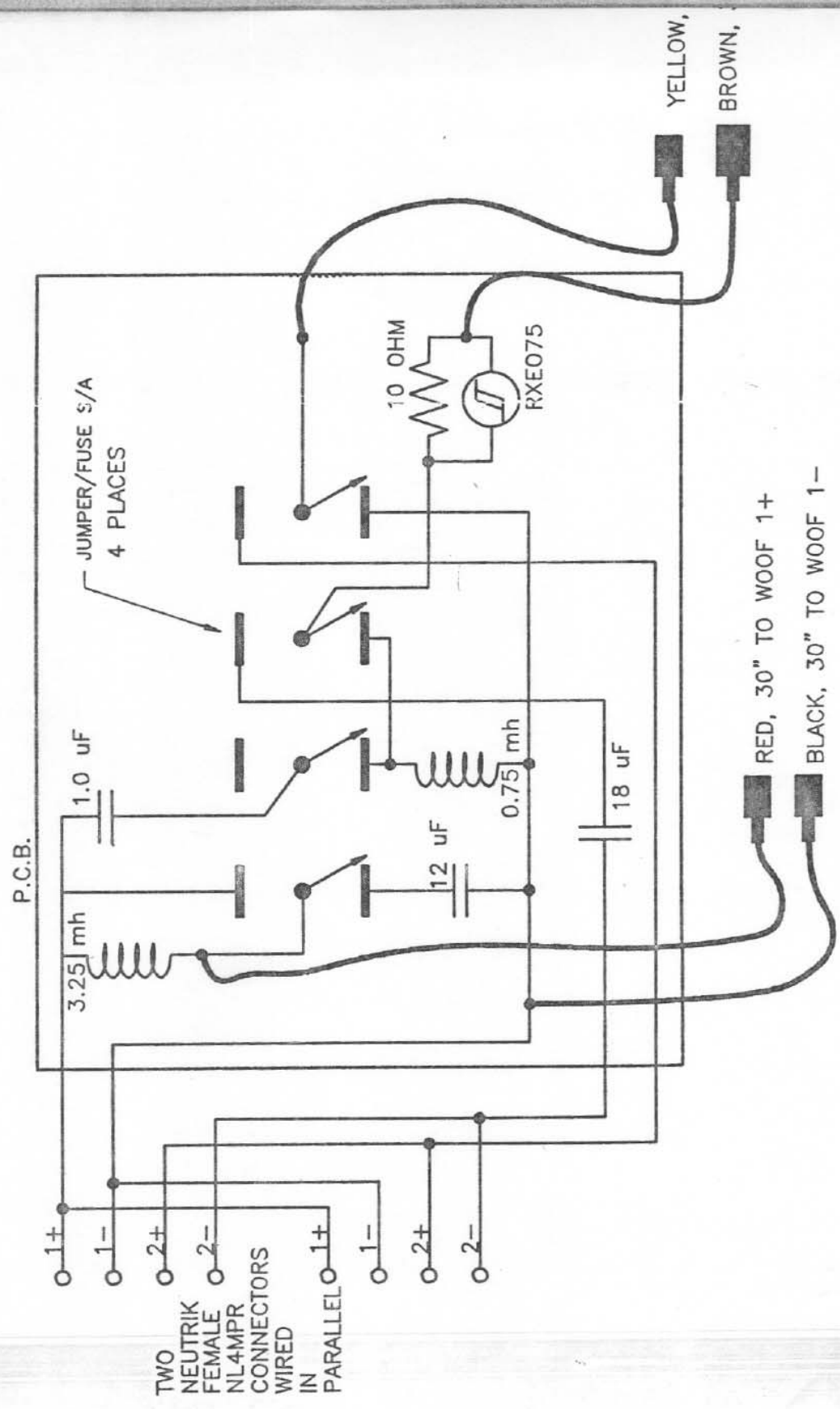
SIZE	PART NO.
C	T251
SCALE 1:2	FILE NO. 83712.DWG
	SHEET NO

2 - 1

4

5

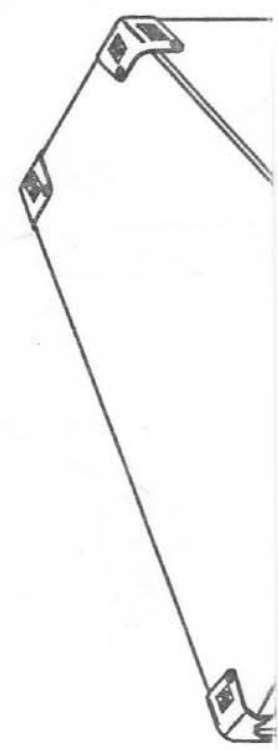
6



13

2

T-251



VAL AND JUMPER ARRANGEMENT AS A 4-POLE/DOUBLE-THROW SHOWN IS THE POSITION FOR THE OPERATION. AND JUMPERS BE PHYSICALLY ALIGNED IN ROWS SO JUMPER CAN QUICKLY SEE WHAT MODE COVER IS IN. ALL BE EXPECTED TO ENDURE A RMS EIA POWER TEST FOR (@ 8 OHMS). WIRES TO BE STRANDED AND SHOULD BE TO THE P.C.B. WITH FAST-ON RS.

MAR 8 1993

ITEM	DESCRIPTION
L2	0.75 mh ±5%. DCR < 0.90 OHMS, AIR CORE
L1	3.25 mh ±5%. DCR < 0.65 OHMS, AIR CORE 16 GA.
C3	18 uF ±10% 100 VOLT (MIN), 3.0 AMP, POLYESTER
C2	1.0 uF ±5% 150 VOLT (MIN), 3.0 AMP, POLYPROPYLENE
C1	12 uF ±10% 150 VOLT (MIN), 4.0 AMP, POLYESTER
R1	10 OHM, 20 WATT, 10%, SPACED OFF P.C. BOARD .25" MIN.
S1	RAYCHEM RXE075

ELECTRO-VOICE, INC. ENGINEERING RESEARCH AND DEVELOPMENT CENTER 128 E. FRONT ST. • BUCHANAN, MICH. 48107	
a MARK IV company	
CROSSOVER S/A	
SIZE C	PART NO. 83712
SCALE 1:2	FILE NO. R:83712.DWG
SHEET NO. 1 OF 1	
DATE 12-19-95	DATE 12-19-95
DATE 12-19-95	DATE 12-19-95
DATE 12-19-95	DATE 12-19-95
DATE 12-20-95	DATE 12-20-95

COMPONENTS

DRAWN F. DIGIROLAMO 12-19-95		DATE 12-19-95	
CKD G. WILKEN		DATE 12-19-95	
ENGR F. DIGIROLAMO 12-19-95		DATE 12-19-95	
RELEASED F. DIGIROLAMO 12-20-95		DATE 12-20-95	
EXP. NO.		EXP. NO.	
MACHINED } ±0°30'		FORMED ±2	
CAST } CONCENTRICITY		CONCENTRICITY	
MOLDED } T.I.R.		T.I.R.	
DRAFT ANGLE		DRAFT ANGLE	
DO NOT SCALE DRAWING		DO NOT SCALE DRAWING	
MATERIAL		MATERIAL	
NOTED		NOTED	

2

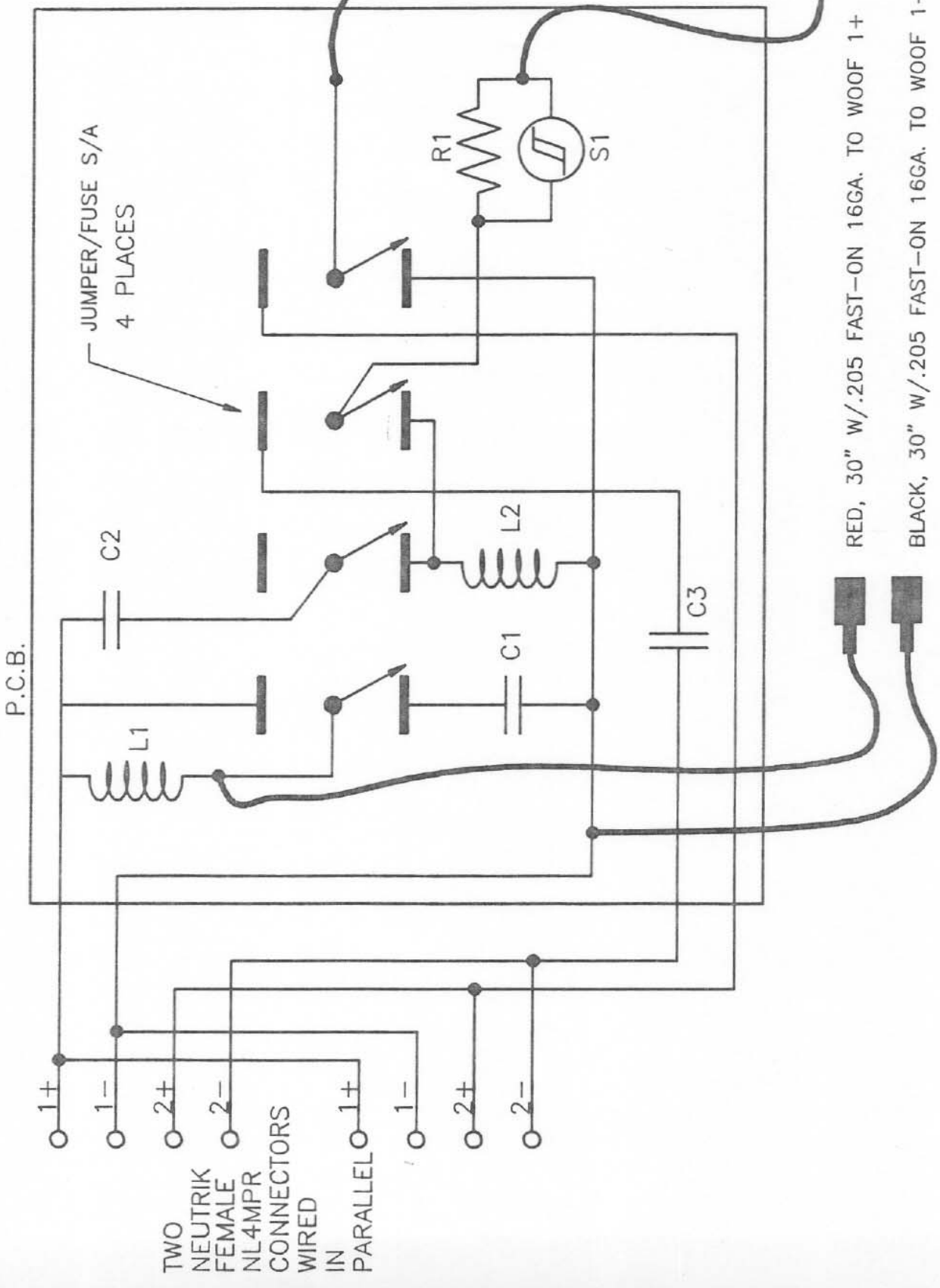
1

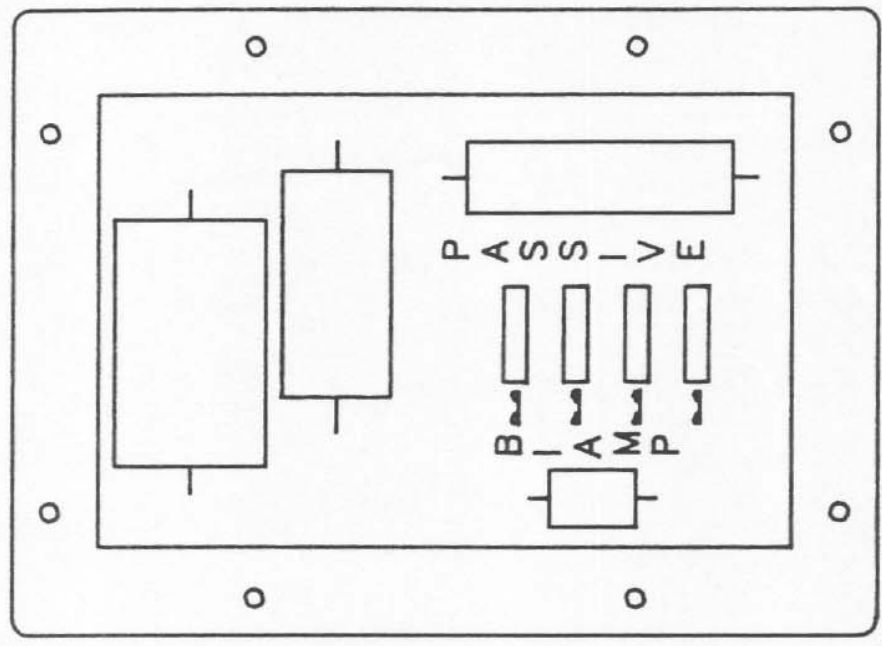
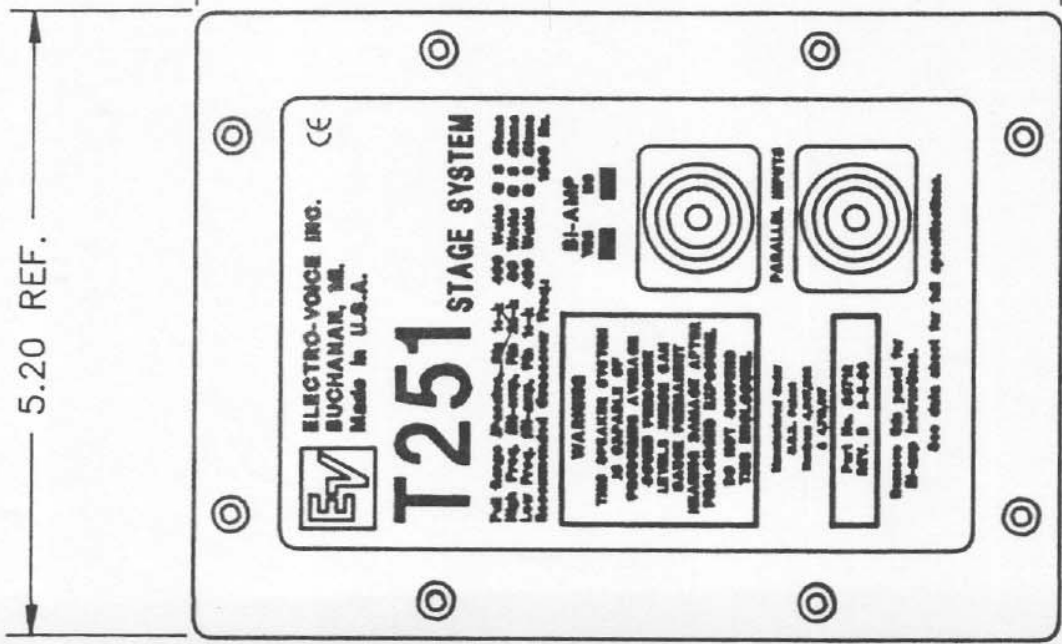


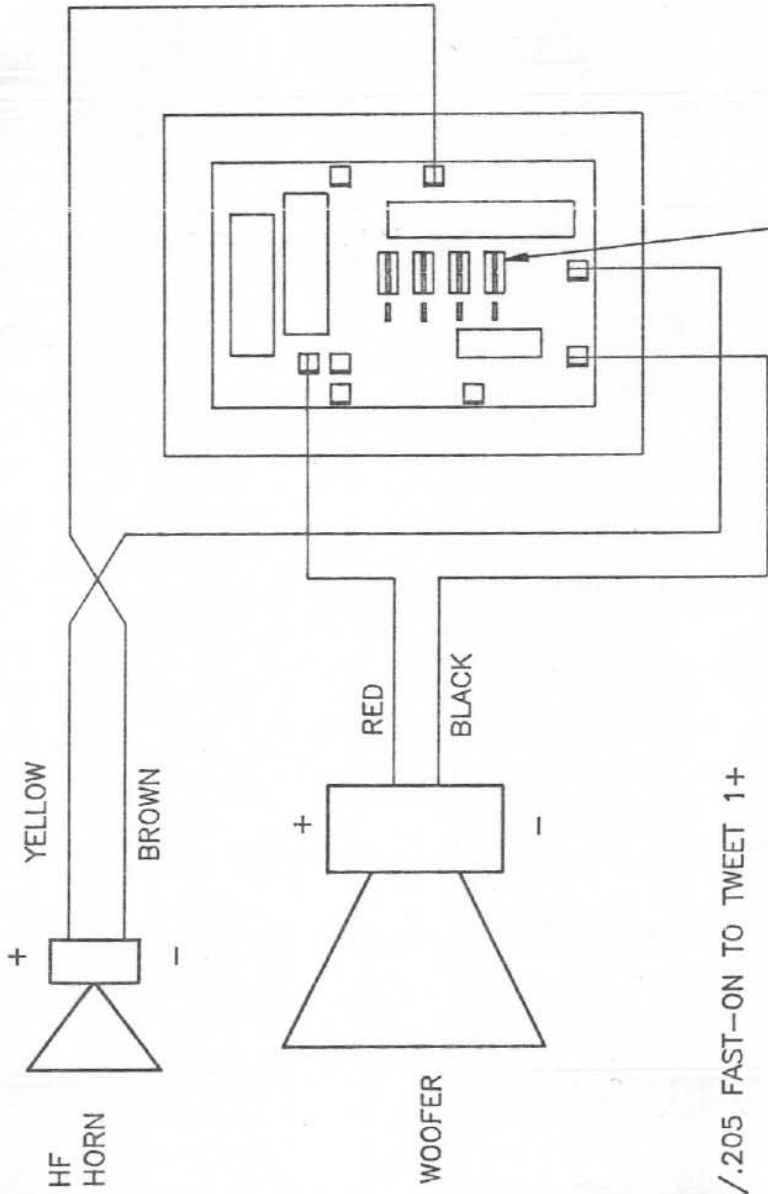
T251

4

5







FUSE-JUMPERS  
ARE ARRANGED FOR  
FULL RANGE OPERATION  
AS SHOWN

SCHEMATIC DIAGRAM

36" W/.205 FAST-ON TO TWEET 1+  
6" W/.250 FAST-ON TO TWEET 1--

DOWN.  
CABINET AS SHOWN.  
VS, ITEM 15,  
USING SCREWS, ITEM 8, AS SH  
REW DRIVER, ITEM 13, INTO HOF  
EWS, ITEM 9, AS SHOWN.  
ON  
SECURE THE GRILLE.  
M 19, IN LOCATION SHOWN.  
RTON.  
DOWN.

T-251




INAL AND JUMPER ARRANGEMENT  
 S AS A 4-POLE/DOUBLE-THROW  
 SHOWN IS THE POSITION FOR  
 GE OPERATION.  
 S AND JUMPERS  
 BE PHYSICALLY ALIGNED IN ROWS SO  
 JUMPER CAN QUICKLY SEE WHAT MODE  
 CROSSOVER IS IN.  
 WILL BE EXPECTED TO ENDURE A  
 RMS EIA POWER TEST FOR  
 (@ 8 OHMS).  
 WIRES TO BE STRANDED AND SHOULD BE  
 TO THE P.C.B. WITH FAST-ON  
 DRS.

MAR 8 1995

L2	0.75 mh ±5%.	DCR < 0.90 OHMS,	AIR CORE						
L1	3.25 mh ±5%.	DCR < 0.65 OHMS,	AIR CORE 16 GA.						
C3	18 uF ±10%	100 VOLT (MIN),	3.0 AMP, POLYESTER						
C2	1.0 uF ±5%	150 VOLT (MIN),	3.0 AMP, POLYPROPYLENE						
C1	12 uF ±10%	150 VOLT (MIN),	4.0 AMP, POLYESTER						
R1	10 OHM,	20 WATT, 10%,	SPACED OFF P.C. BOARD .25" MIN.						
S1	RAYCHEM	RXE075							
ITEM									

DESCRIPTION

COMPONENTS

 <b>ELECTRO-VOICE, INC.</b> ENGINEERING RESEARCH AND DEVELOPMENT CENTER 128 E. FRONT ST. • BUCHANAN, MICH. 49107		<b>CROSSOVER S/A</b>	
a MARK IV company		PART NO. <b>83712</b>	REV. <b>B</b>
SIZE <b>C</b>	FILE NO. <b>R:83712.DWG</b>	SCALE <b>1:2</b>	SHEET NO. <b>1 OF 1</b>
DRAWN <b>F.DIGIROLAMO 12-19-95</b>	DATE <b>12-19-95</b>		
CKD <b>G.WILKEN</b>	DATE <b>12-19-95</b>		
ENGR <b>F.DIGIROLAMO 12-19-95</b>	DATE <b>12-19-95</b>		
RELEASED <b>F.DIGIROLAMO 12-20-95</b>	DATE <b>12-20-95</b>		
EXP. NO.	EXP. NO.		
DIMENSIONAL TOLERANCES - UNLESS OTHERWISE SPECIFIED	MACHINED } ±0.30' CAST } MOLDED }	ANGLES	FORMED±2
INCHES .XX ±.01 .XXX ±.005	METRIC (PAREN.) .X ±.3mm .XX ±.10mm	CONCENTRICITY ~	T.I.R. DRAFT ANGLE ~
NOTES - UNMARKED ANGLES AND INTERSECTIONS 90°. REMOVE BURRS AND EXPOSED SHARP EDGES. THREADS TO BE UNIFIED SERIES CLASS 2 AFTER PLATING UNLESS OTHERWISE SPECIFIED. THIS DRAWING INTERPRETED PER ANSI STD. 14.5Y.			
FROM NOTED	DO NOT SCALE DRAWING MATERIAL NOTED		

2

1